

REV. A

AS4702

FEDERAL SUPPLY CLASS
4730

SAE Technical Standards Board Rules provide that: "This report is published by SAE to advance the state of technical and engineering sciences. The use of this report is entirely voluntary, and its applicability and suitability for any particular use, including any patent infringement arising therefrom, is the sole responsibility of the user." SAE reviews each technical report at least every five years at which time it may be reaffirmed, revised, or cancelled. SAE invites your written comments and suggestions.

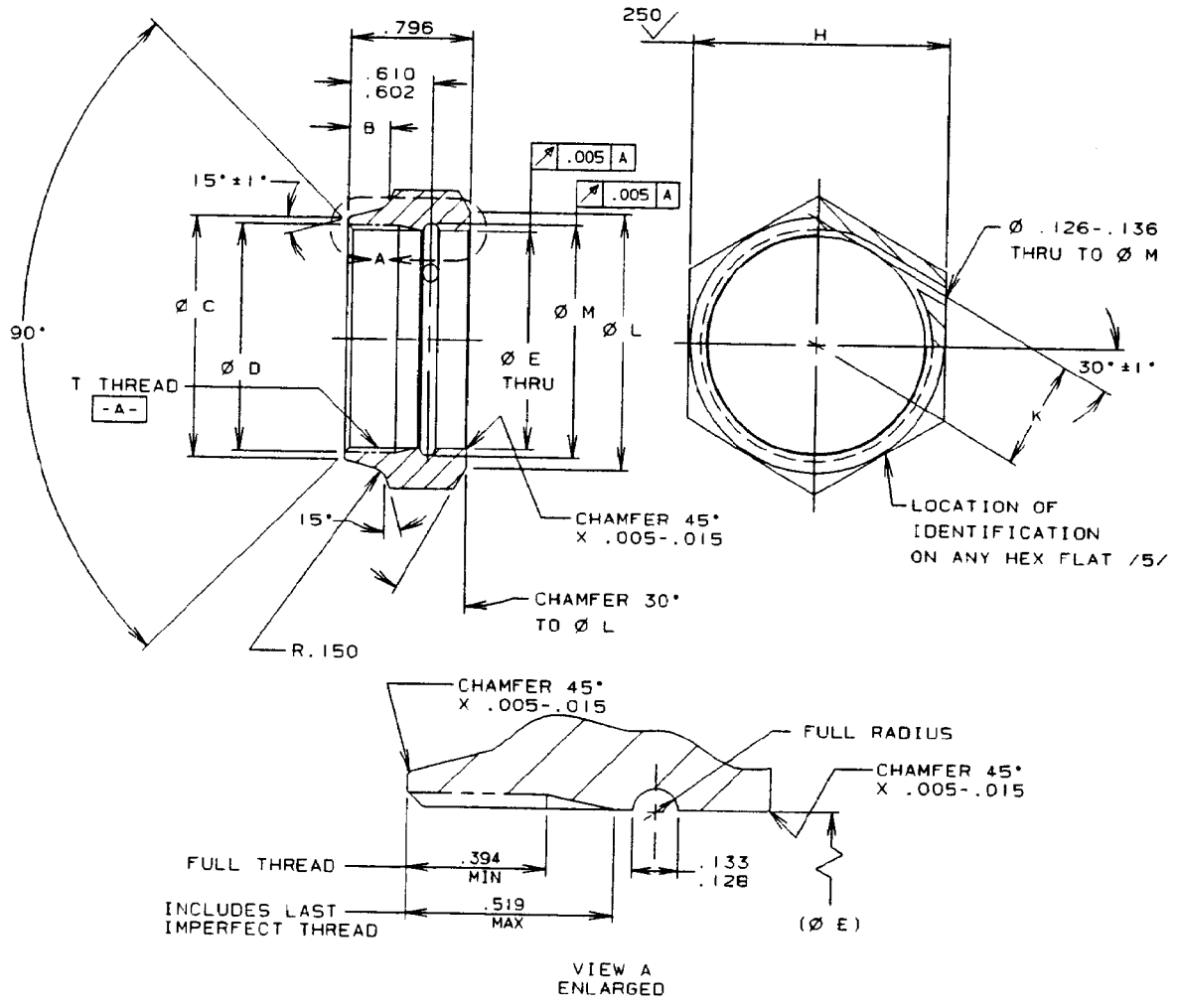
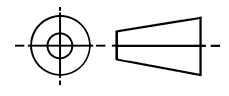


FIGURE 1 - NUT, RETAINED

TABLE 1 - DIMENSIONS AND WEIGHTS

BASIC NO. AS4702 /14/ SIZE CODE	(NOMINAL TUBE SIZE)	T THREAD PER MIL-S-8879	C		E		H	K	L	M	LB/EA	LB/EA	LB/EA
			B	±.005	D	±.0050					MAX ALUM	MAX CRES	MAX TI
20	1.250	1.5625-12 UNJ-3B	.290	1.678	1.572	1.4864	1.802-1.817	.735	1.792	1.601	.076	.211	.121
24	1.500	1.8125-12 UNJ-3B	.272	1.928	1.822	1.7364	2.052-2.072	.858	2.042	1.848	.091	.250	.144
28	1.750	2.1250-12 UNJ-3B	.250	2.240	2.135	2.0489	2.365-2.385	1.012	2.355	2.158	.110	.305	.175

THIRD ANGLE PROJECTION



CUSTODIAN: SAE G-3/G-3B

PROCUREMENT SPECIFICATION: /4/ MIL-F-18280

SAE Aerospace
An SAE International Group

AEROSPACE STANDARD
NUT, RETAINED, SHORT FLARELESS

AS4702
SHEET 1 OF 3

REV. A

Copyright 2004 SAE International
All rights reserved. No part of this publication may be reproduced, stored in a retrieval system or transmitted, in any form or by any means, electronic, mechanical, photocopying, recording, or otherwise, without the prior written permission of SAE.

Copyright SAE International
Provided by IHS under license with SAE. ORDER: Tel: 877-606-7323 (inside USA and Canada) Tel: 724-776-4970 (outside USA)
No reproduction or networking permitted without license from IHS. Fax: 724-776-0790 Email: custsvcs@sae.org

SAE WEB ADDRESS: <http://www.sae.org>

ISSUED 1992-07 REVISED 1994-12 REAFFIRMED 2004-07